
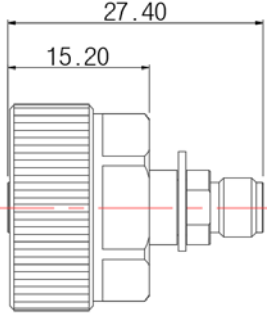

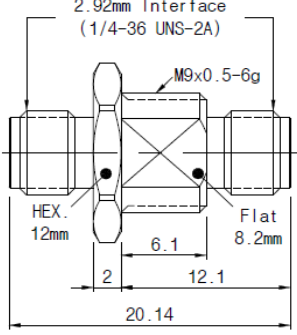


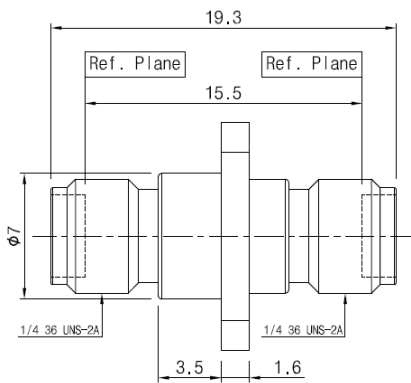
Unit [mm]

## NMD & Bulkhead

Part No. Description	Drawing	Specification
<p>K(F)_NM_K(F)01 K(f) to K(f)</p> 		<p><b>Frequency : DC ~ 40GHz</b>                      VSWR : 1.20 Max                      Impedance : 50 ohm                      Insertion loss : 0.26 dB Max @ 40GHz                      Mating cycle : 500 times min.</p>
<p>K(F)_BH_K(F)02 K(f) to K(f)</p> 		<p><b>Frequency : DC ~ 40GHz</b>                      VSWR : 1.15 Max                      Impedance : 50 ohm                      Insertion loss : 0.20 dB Max @ 40GHz                      Mating cycle : 500 times min.</p>

K(F)\_4H\_K(F)01

K(f) to K(f)



K(F)\_BH\_K(F)01

K(f) to K(f)

