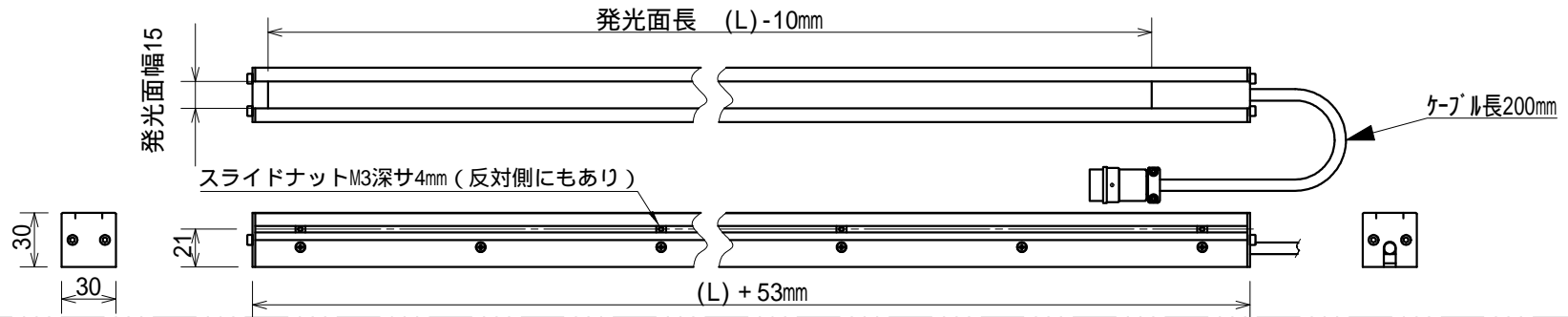


HDLAS - (L) - AW

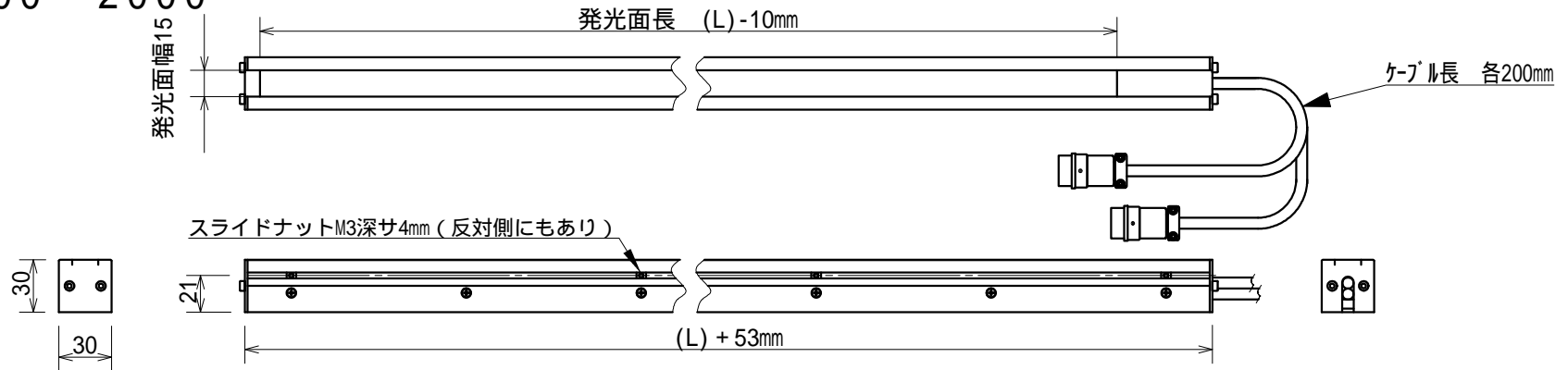
(L) = 200 ~ 1000

HR

HAYASHI-REPIC



(L) = 1200 ~ 2000



(L) = 2200 ~ 3000

