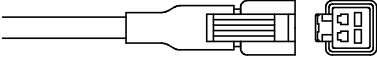


LED Square Type Edge Light

HDBPA-41 × 30 S □ (DC12V)
 HDBPA-41 × 30 S □ -24 (DC24V)
 X 2

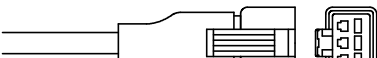


Details of Connector



1 +
2 -

	Light	Power Supply	
Connector	SMR-02V-B	SMP-02V-BC	For DC12V
Contact	BYM-001T-P0.6	BHF-001T-0.8SS	



1 +
2 NC
3 -

	Light	Power Supply	
Connector	SMR-03V-B	SMP-03V-BC	For DC24V
Contact	BYM-001T-P0.6	BHF-001T-0.8SS	

X 1 Voltage	X 2 Color	Electric Power Consumption
DC12V	R (Red)	1.2W
DC24V	W (White)	1.7W
	B (Blue)	0.9W

(Note) Please do not remove the tags attached to the product.
 Light-emitting part during lighting, please do not look directly.

① 製品に取り付けられているタグは外さないでください
 点灯中の発光部は、直視しないでください

