

LED Coaxial Spot Light

HDMSP-8*-A

* Only 12V USE

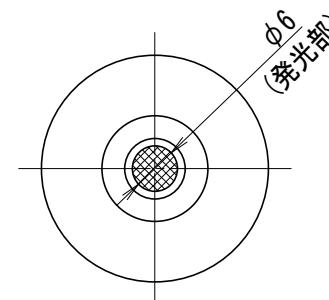
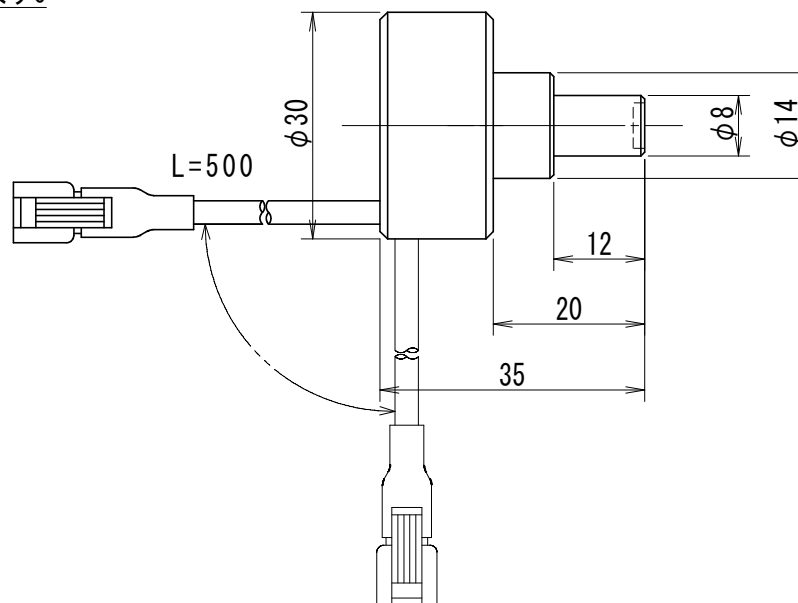
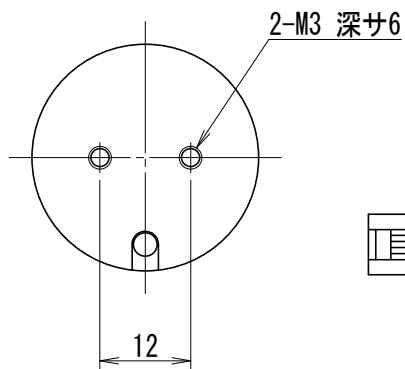
* Electric Power Consumption 2W

(Note) Please do not remove the tags attached to the product.
Light-emitting part during lighting, please do not look directly.

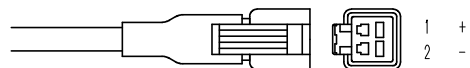
(注) 製品に取り付けられているタグは外さないでください。
点灯中の発光部は、直視しないでください。



*
Color
W (white)
R (red)
G (green)
B (blue)
Y (Yellow)



Details of Connector



	Light	Power Supply
Connector	SMR-02V-B	SMP-02V-BC
Contact	BYM-001T-P0.6	BHF-001T-0.8SS