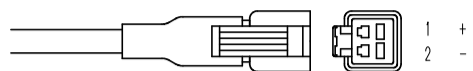


LED Low-angle Flat Ring Light  
HDRP-153KL□

Details of Connector



	Light	Power Supply
Connector	SMR-02V-B	SMP-02V-BC
Contact	BYM-001T-P0.6	BHF-001T-0.8SS

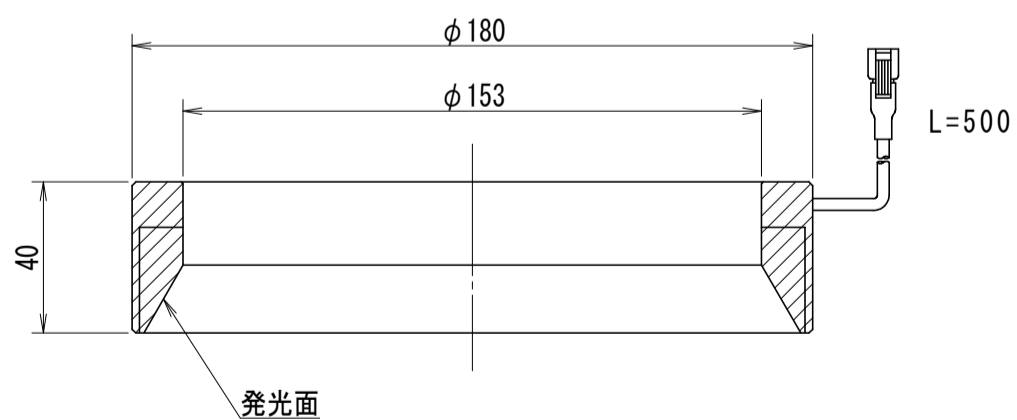
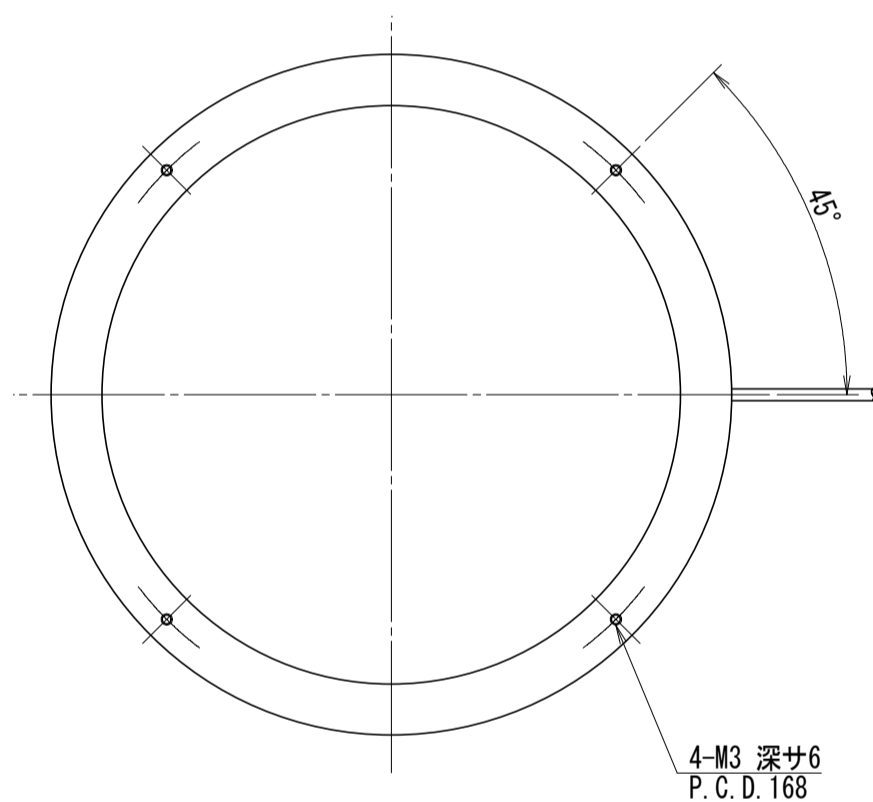
\* Only 12V USE

\* Electric Power Consumption 10.4W(Red)  
15.5W(White, Blue, Green)

(Note) Please do not remove the tags attached to the product.  
Light-emitting part during lighting, please do not look directly.

(注) 製品に取り付けられているタグは外さないでください。  
点灯中の発光部は、直視しないでください。

color
□
Red R
White D W
Blue B
Green G



**HR**  
**HAYASHI-REPIC**