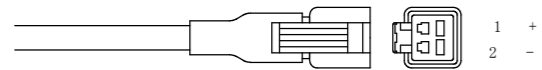


LED Flat Opposed Ring Light

HDRP-400T□

Details of Connector



	Light	Power Supply
Connector	SMR-02V-B	SMP-02V-BC
Contact	BYM-001T-P0.6	BHF-001T-0.8SS

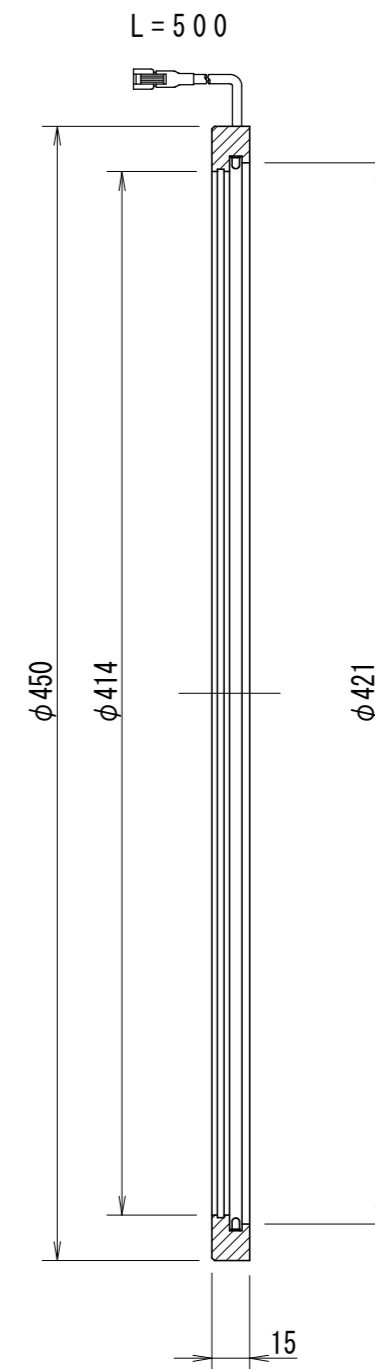
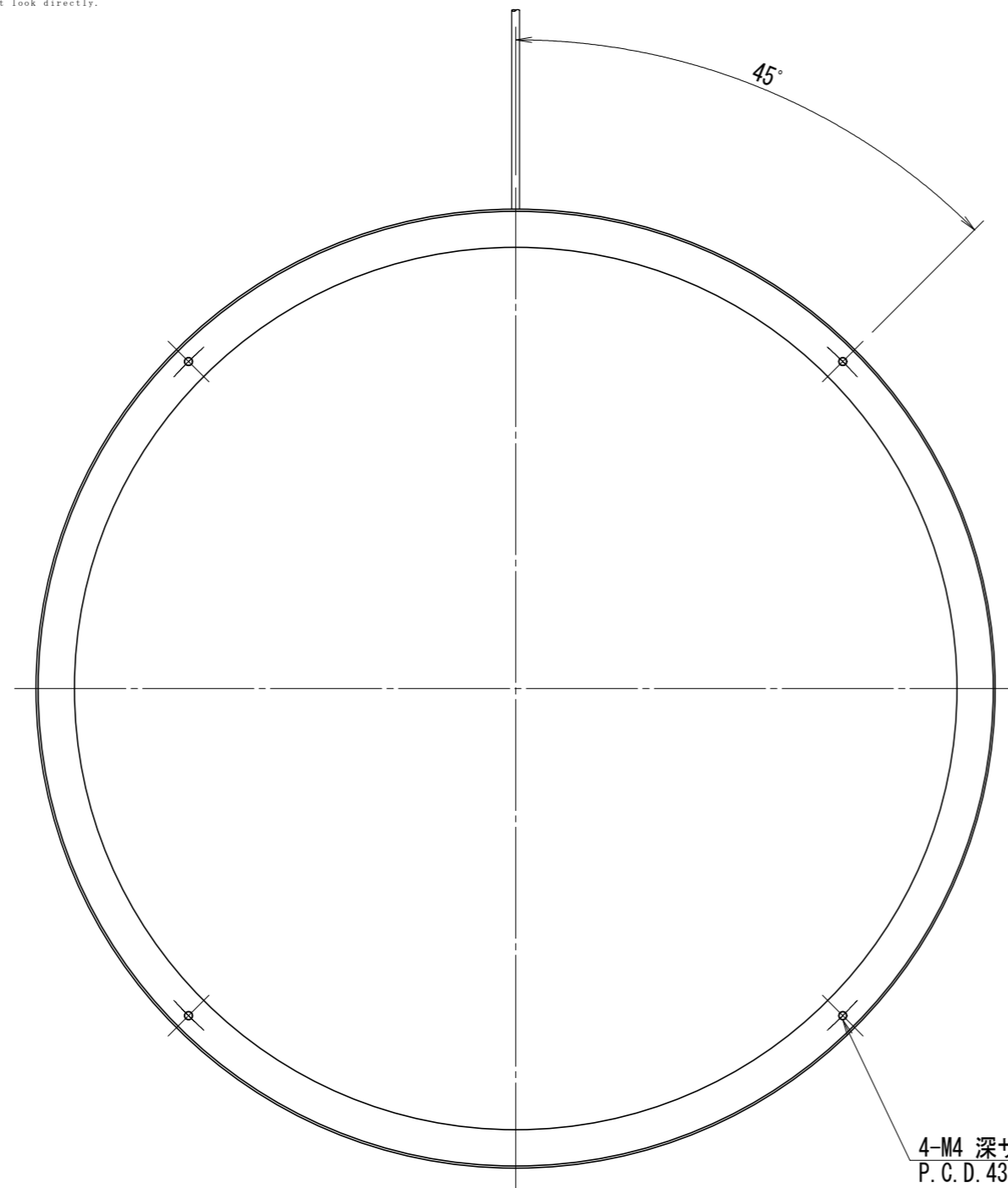
* Only 12V USE

* Electric Power Consumption 11.6W(Red)
17.3W(White, Blue, Green)

(Note) Please do not remove the tags attached to the product.
Light-emitting part during lighting, please do not look directly.

※製品に取り付けられているタグは外さないでください
点灯中の発光部は、直視しないでください

color
□
Red
R
White
D W
Blue
B
Green
G



HR

HAYASHI-REPIC