

## LED Panel Dome Type

HFHA - 150 (12V)  
 HFHA - 150 - 24 (24V)

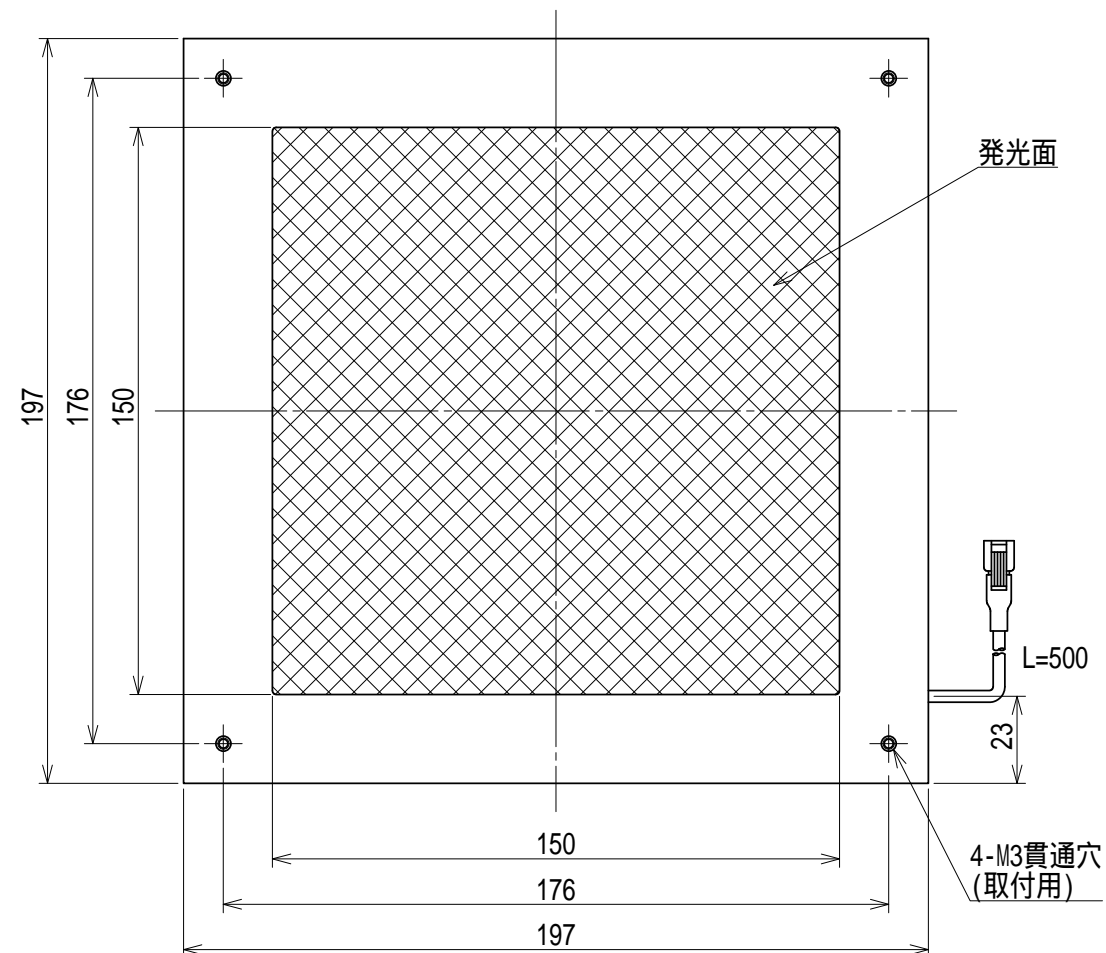
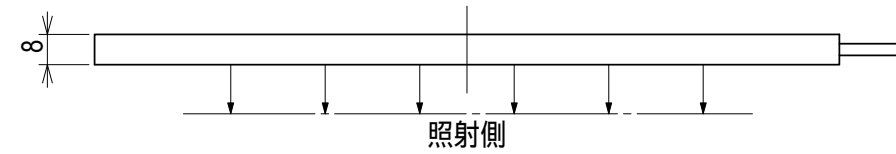
\* Electric Power Consumption 30W (Red, White, Blue)  
 20W (Green)  
 17W (Infrared)

(Note) Please do not remove the tags attached to the product.  
 Light-emitting part during lighting, please do not look directly.

(注) 製品に取り付けられているタグは外さないでください。

点灯中の発光部は、直視しないでください。

color
Red
R
White
W
Blue
B
Infrared
IR-850
Green
G

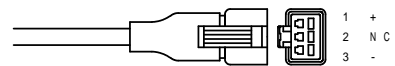


### Details of Connector (for DC12V in)



	Light	Power Supply
Connector	SMR-02V-B	SMP-02V-BC
Contact	BYM-001T-P0.6	BHF-001T-0.8SS

### Details of Connector (for DC24V in)



	Light	Power Supply
Connector	SMR-03V-B	SMP-03V-BC
Contact	BYM-001T-P0.6	BHF-001T-0.8SS