

# Surface Mount Back Light

HHM-25/30□

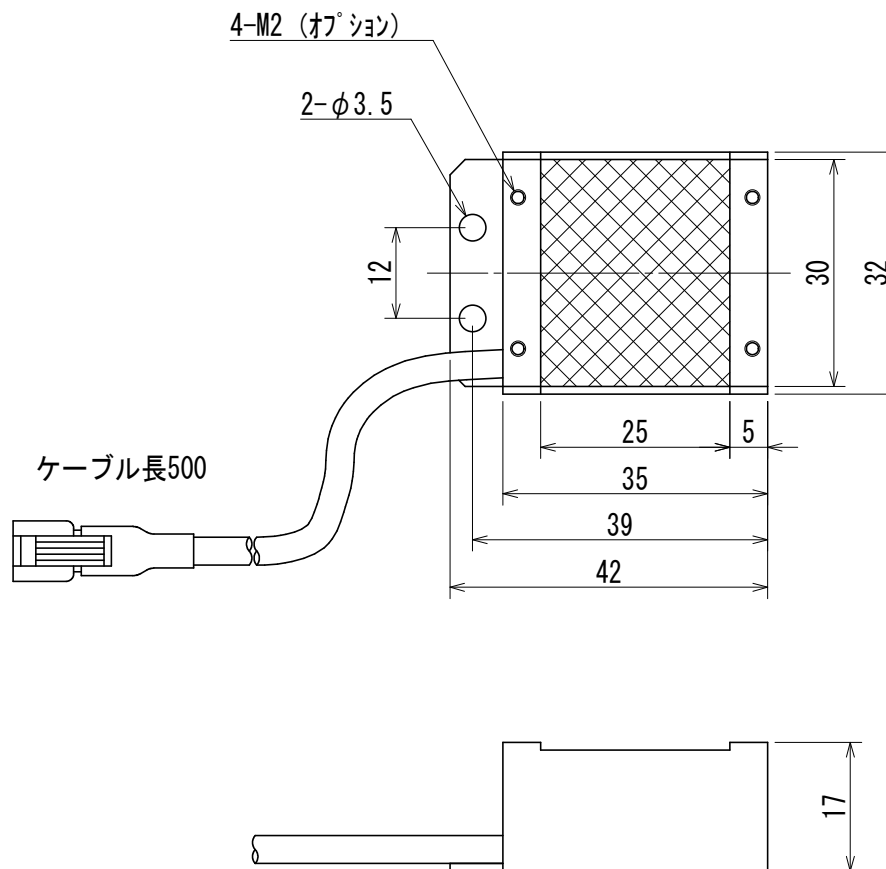
\* Only 12V USE

\* Electric Power Consumption 2W

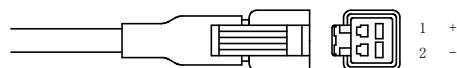
(Note) Please do not remove the tags attached to the product.  
Light-emitting part during lighting, please do not look directly.

(注)製品に取り付けられているタグは外さないでください  
点灯中の発光部は、直視しないでください

□
Color
IR-850
IR-950



## Details of Connector



	Light	Power Supply
Connector	SMR-02V-B	SMP-02V-BC
Contact	BYM-001T-P0.6	BHF-001T-0.8SS