

# LED Spot Light

HHSL-SP50□-□ (DC12V)  
X1 X2

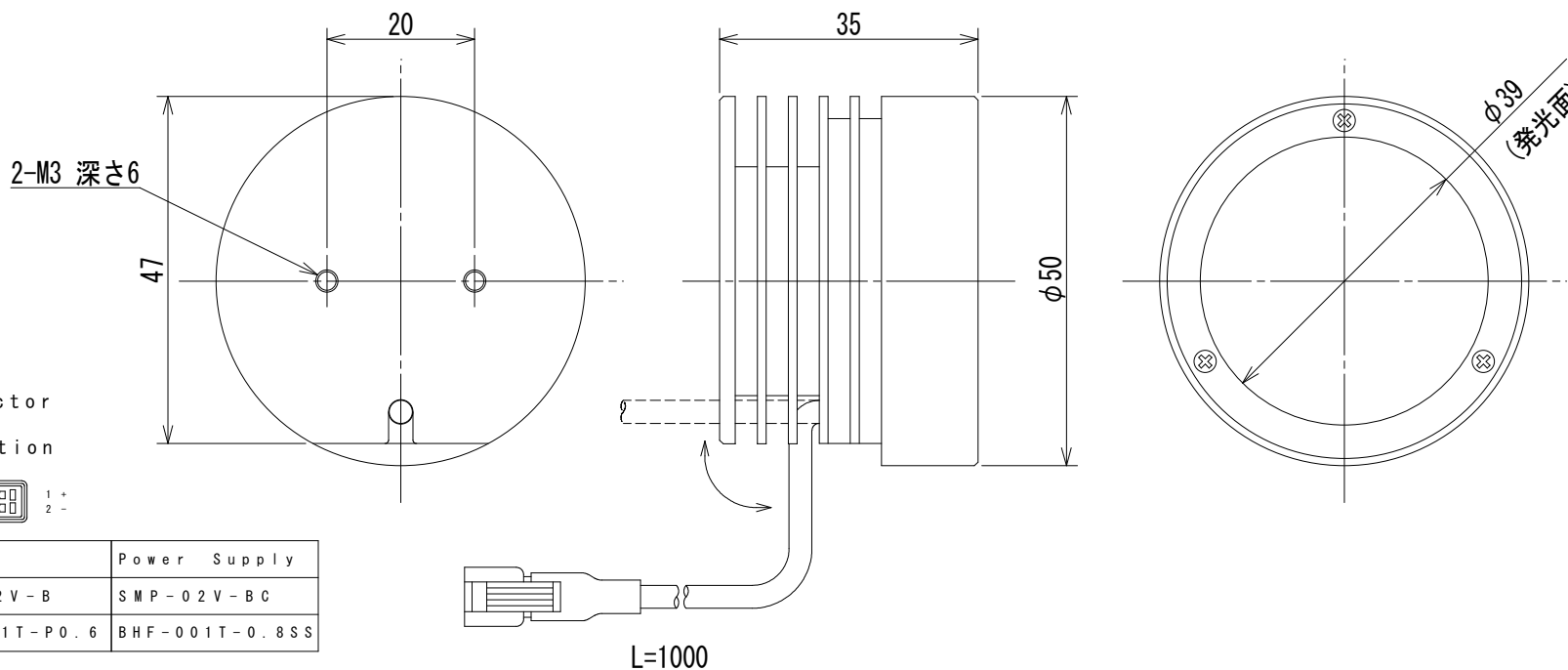
HHSL-SP50□-□-24 (DC24V)  
X1 X2

\* Electric Power Consumption 7W

(Note) Please do not remove the tags attached to the product.  
Light-emitting part during lighting, please do not look directly.

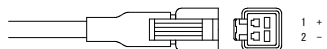
(注) 製品に取り付けられているタグは外さないでください。  
点灯中の発光部は、直視しないでください。

Input voltage	X 1 Lens type	X 2 Color
DC12V	L (long)	White W
	S (short)	Red R
DC24V	L (long)	Green G
	S (short)	Blue B



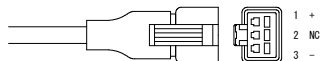
## Details of Connector

### • DC12V specification



	Light	Power Supply
Connector	SMR-02V-B	SMP-02V-BC
Contact	BYM-001T-P0.6	BHF-001T-0.8SS

### • DC24V specification



	Light	Power Supply
Connector	SMR-03V-B	SMP-03V-BC
Contact	BYM-001T-P0.6	BHF-001T-0.8SS