



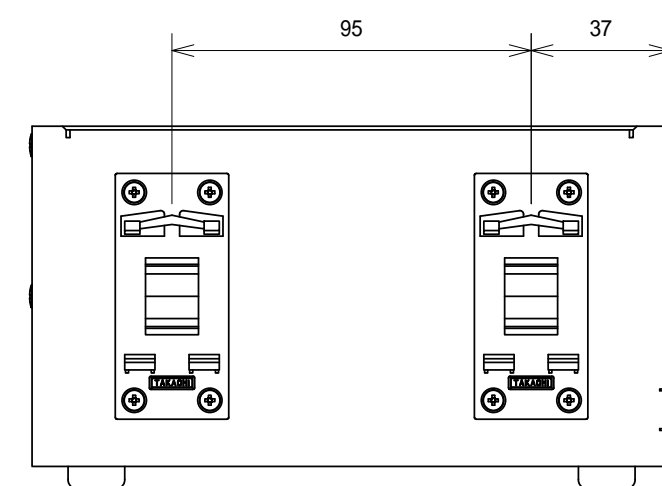
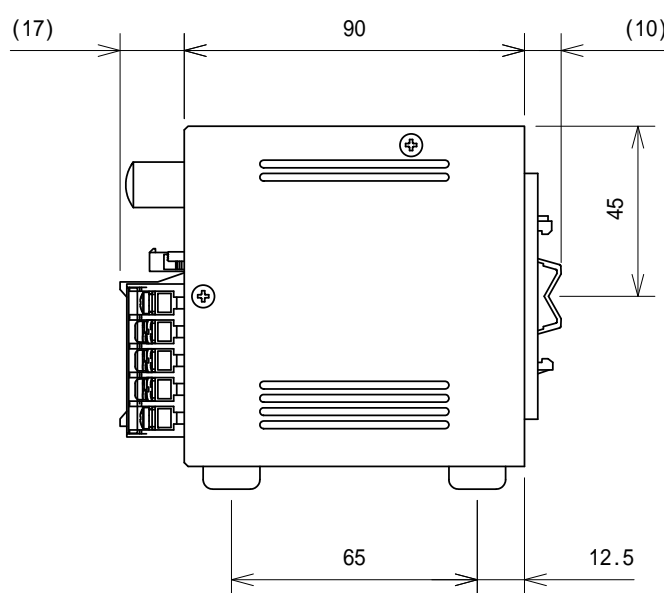
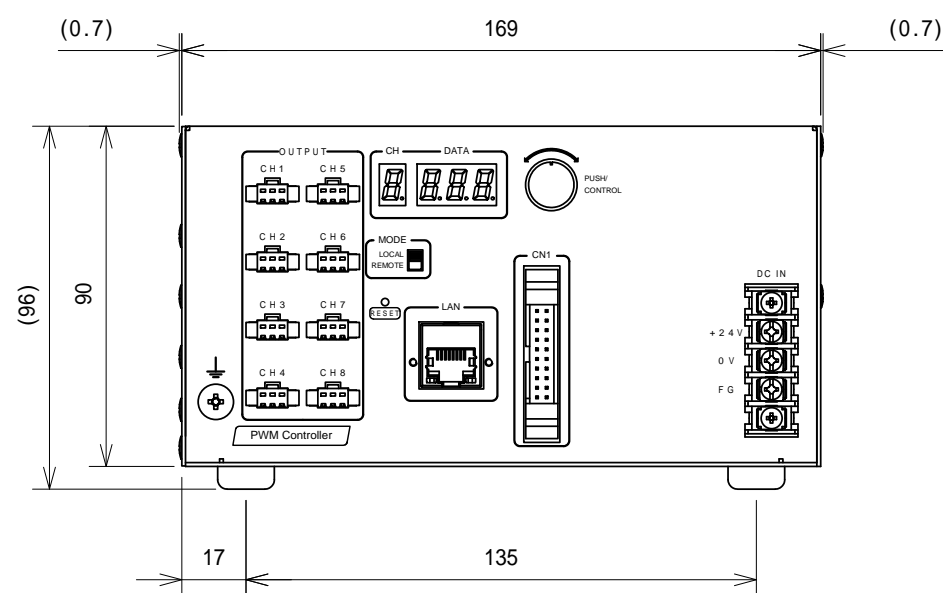
HAYASHI-REPIC

PWM Controller

LPWP-DGC150R-TP-8CH-24-T

Input power : DC24V ± 5% 6.25A(MAX)

Weight : 1000g or less



UNIT : mm