

PWM Controller

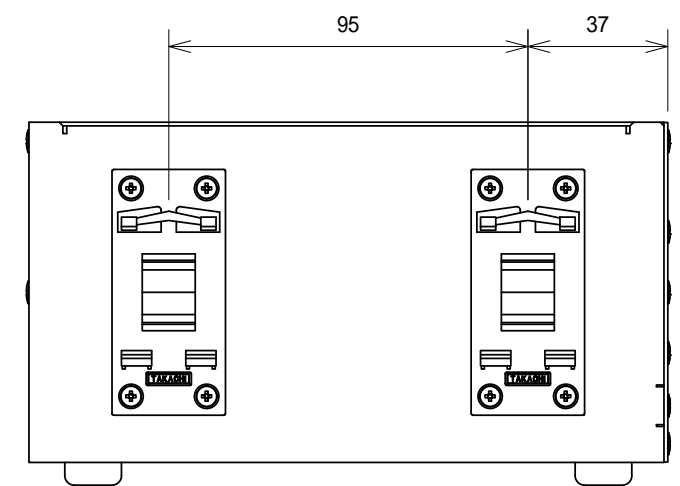
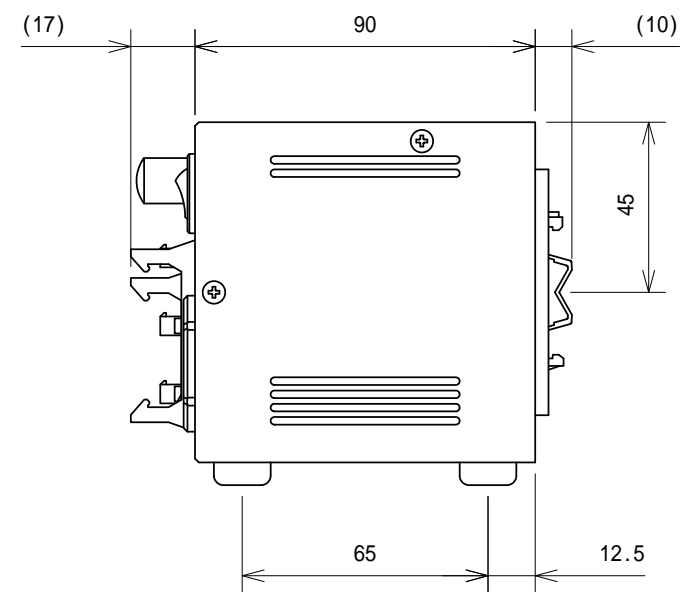
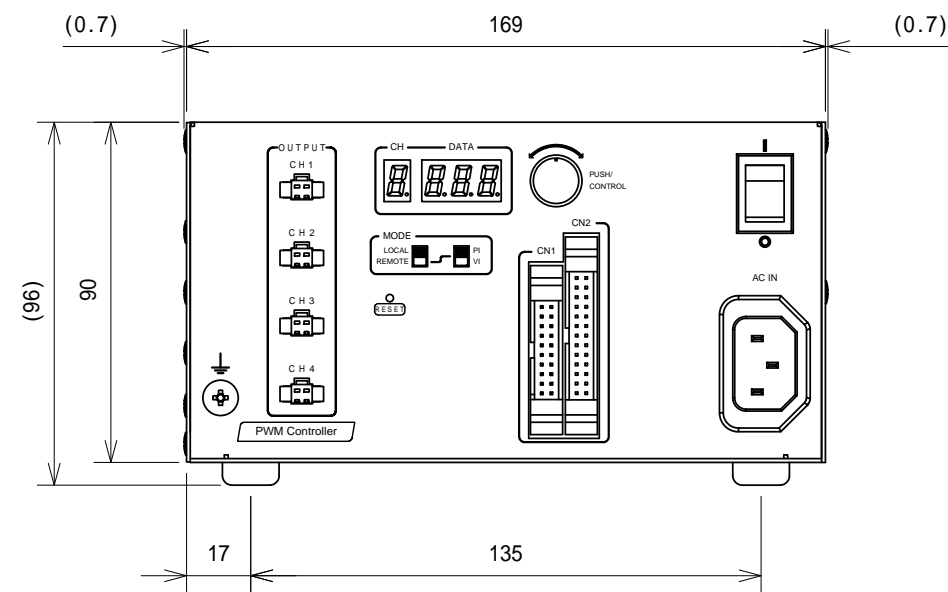
LPWP-DGC30R-PV-4CH

Input power : AC100~240V (50/60Hz) 65VA

Weight : 1100g or less

**HR**

**HAYASHI-REPIC**



UNIT : mm