



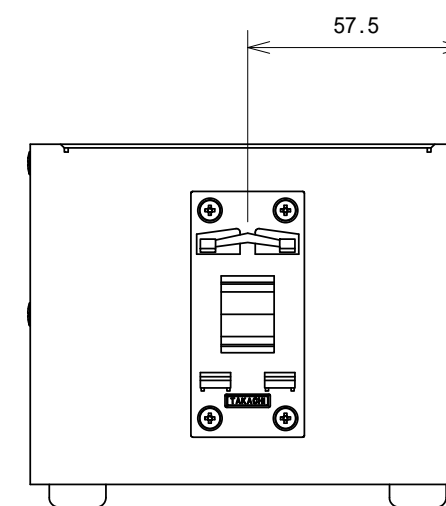
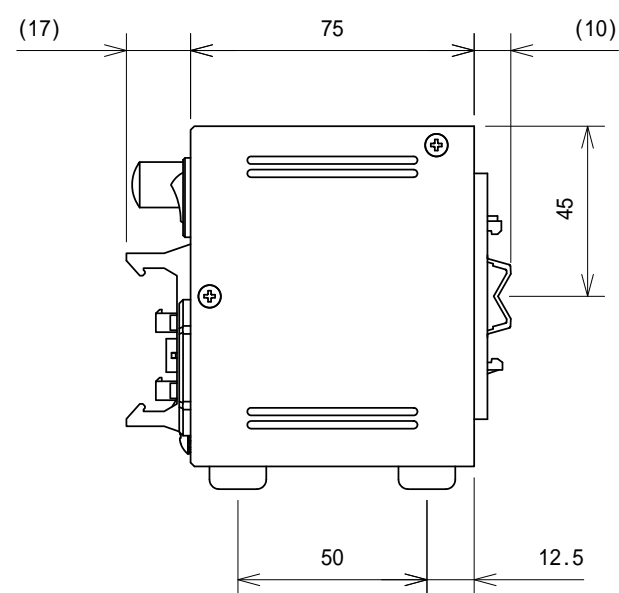
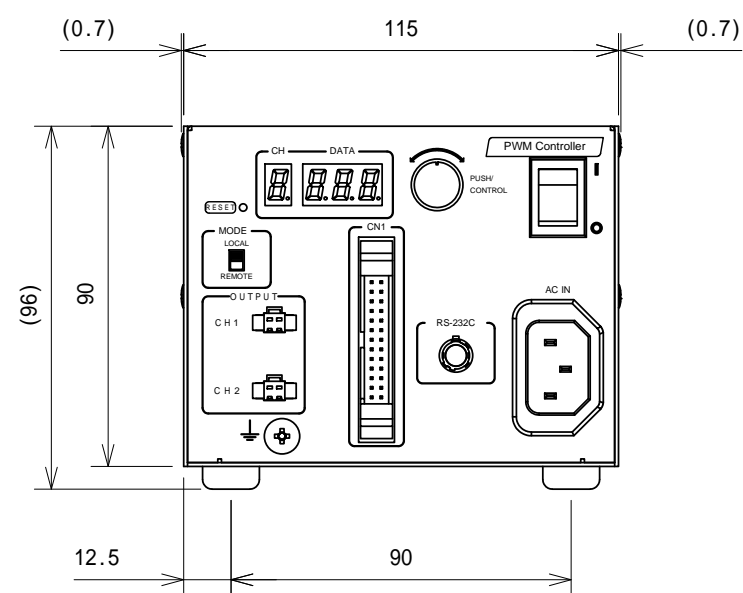
HAYASHI-REPIC

PWM Controller

LPWP-DGC30R-S2-2CH

Input power : AC100~240V (50/60Hz) 65VA

Weight : 700g or less



UNIT : mm