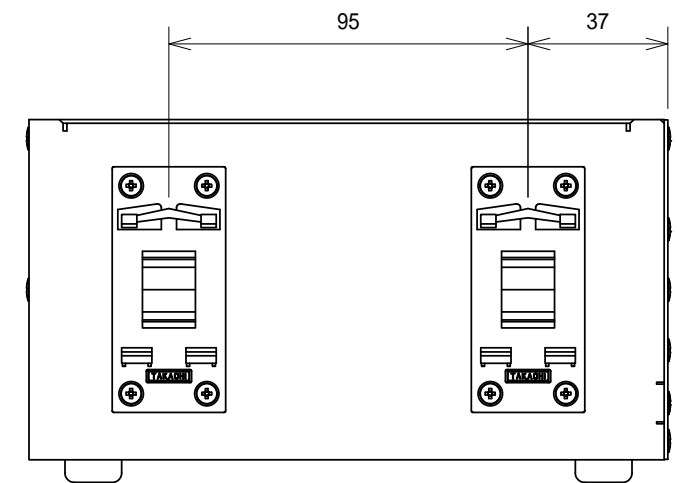
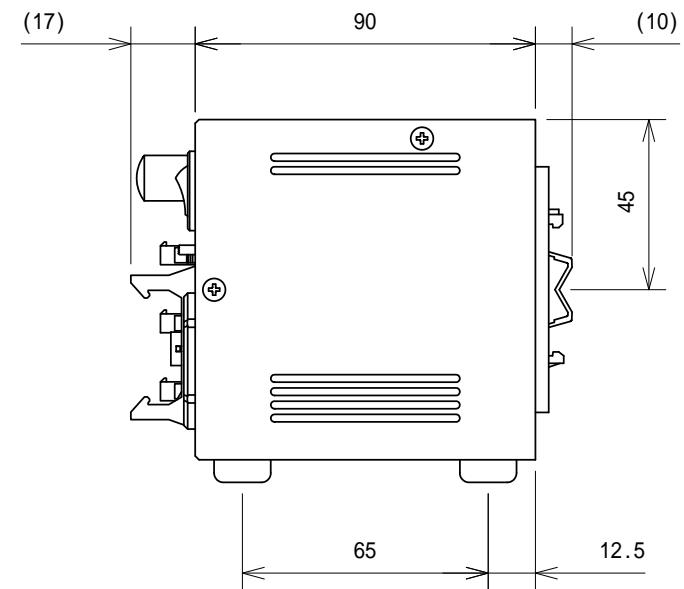
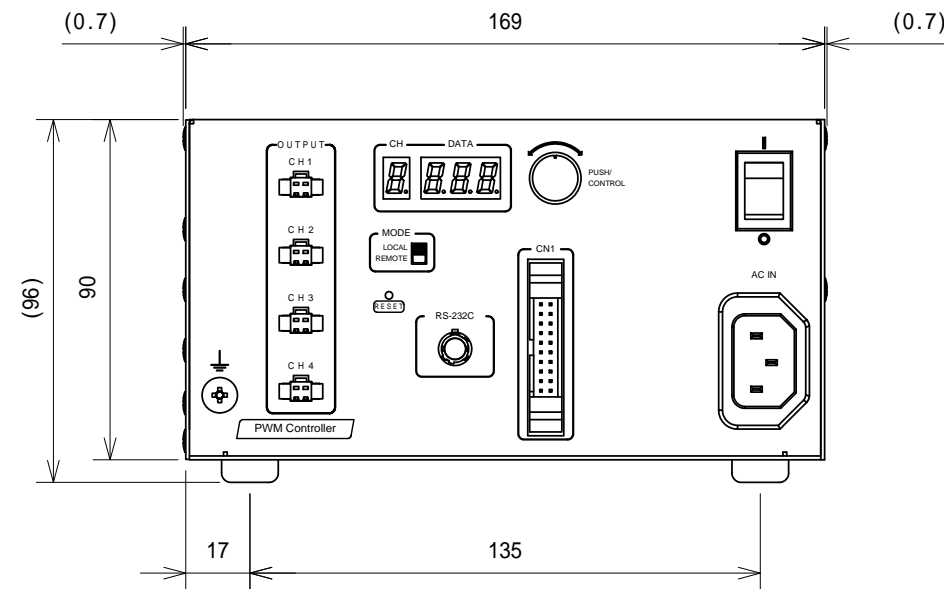


PWM Controller

LPWP-DGC30R-S2-4CH

Input power : AC100-240V (50/60Hz) 65VA

Weight : 1100g or less



UNIT : mm