

PWM Controller

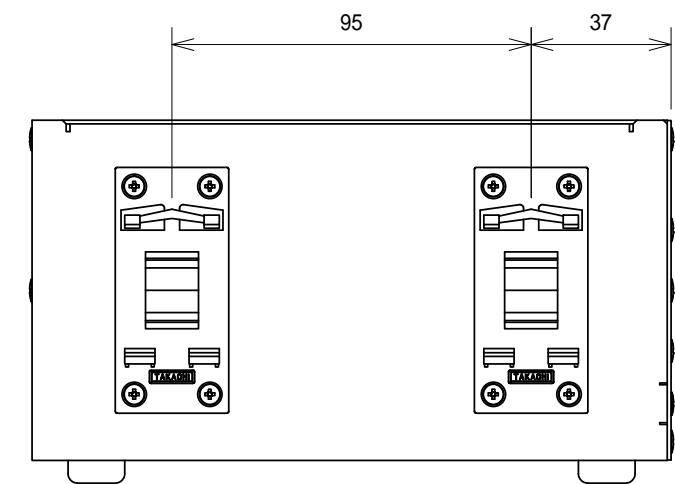
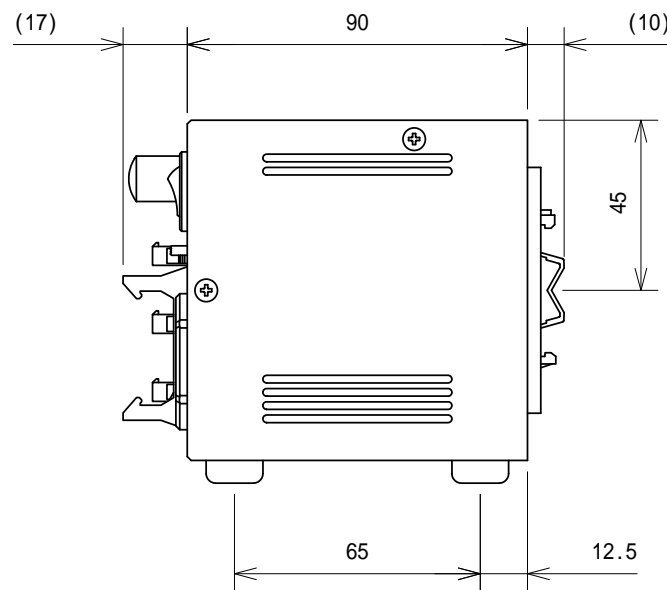
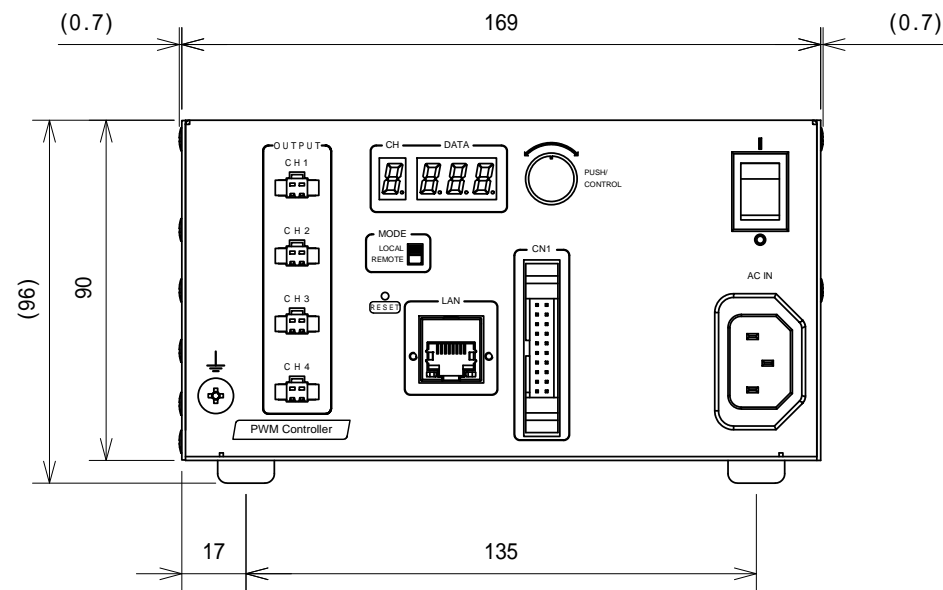
LPWP-DGC30R-TP-4CH

Input power : AC100~240V (50/60Hz) 65VA

Weight : 1100g or less



HAYASHI-REPIC



UNIT : mm