

PWM Controller

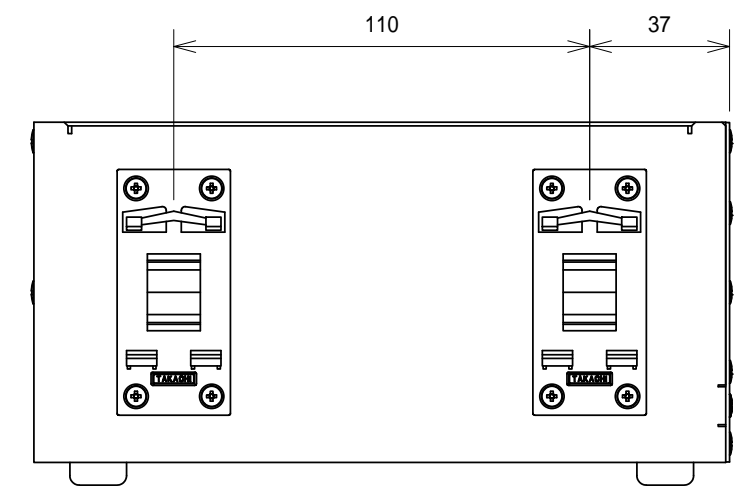
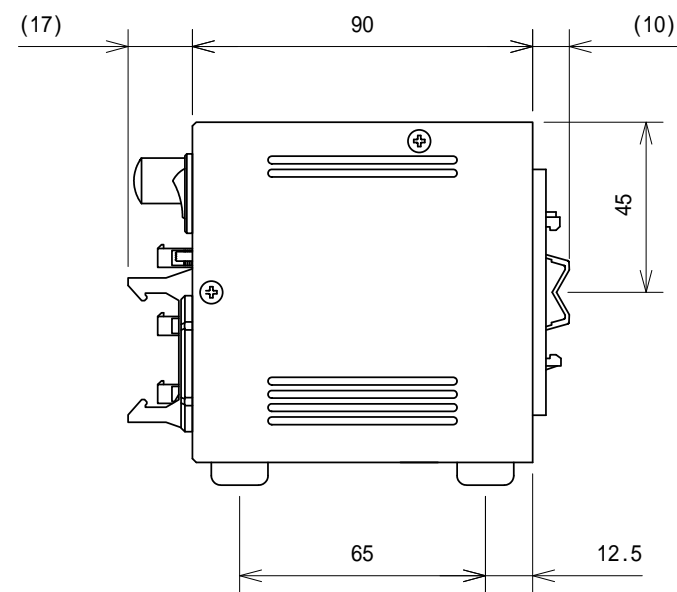
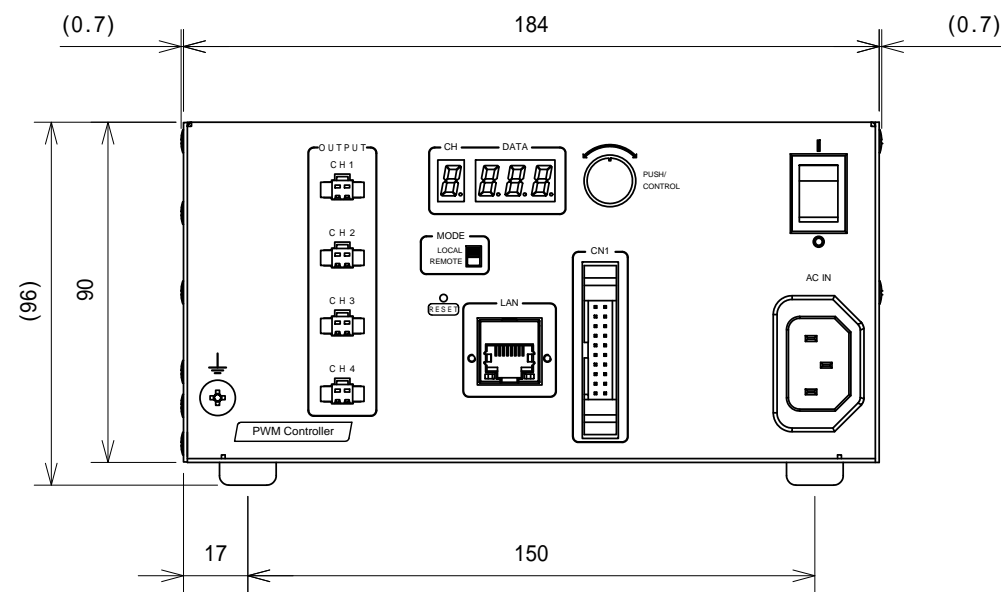
LPWP-DGC50R-TP-4CH

Input power : AC100~240V (50/60Hz) 110-140VA

Weight : 1200g or less

HR

HAYASHI-REPIC



UNIT : mm