



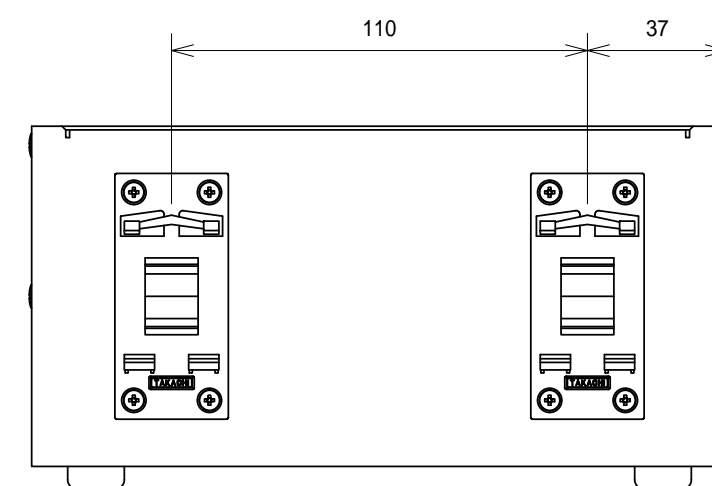
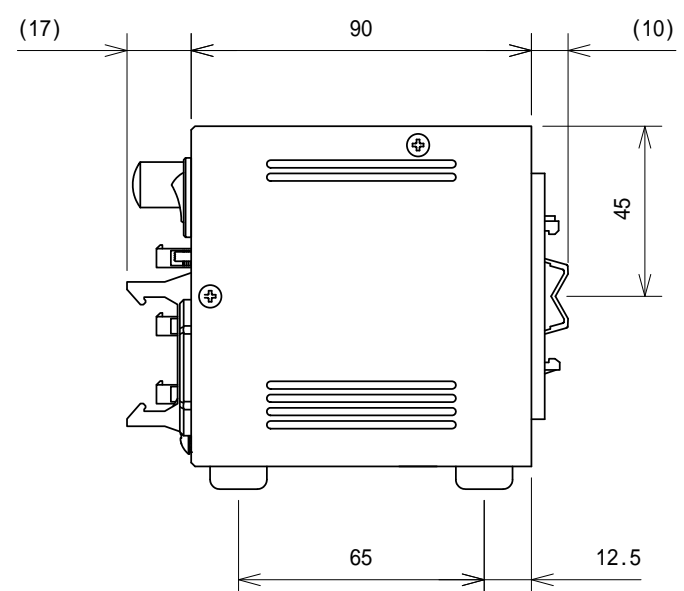
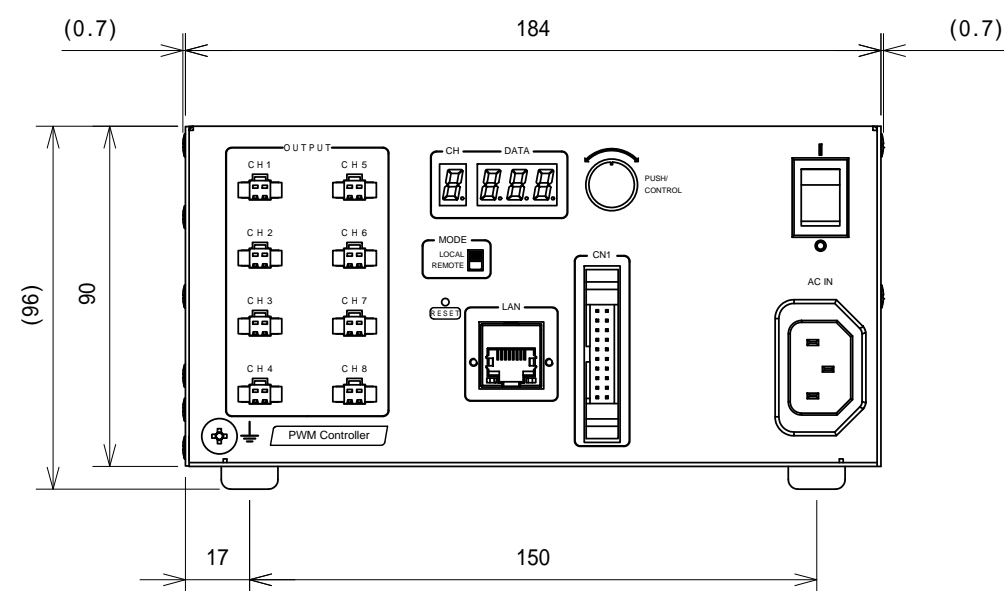
HAYASHI-REPIC

PWM Controller

LPWP-DGC50R-TP-8CH

Input power : AC100~240V (50/60Hz) 110-140VA

Weight : 1200g or less



UNIT : mm