

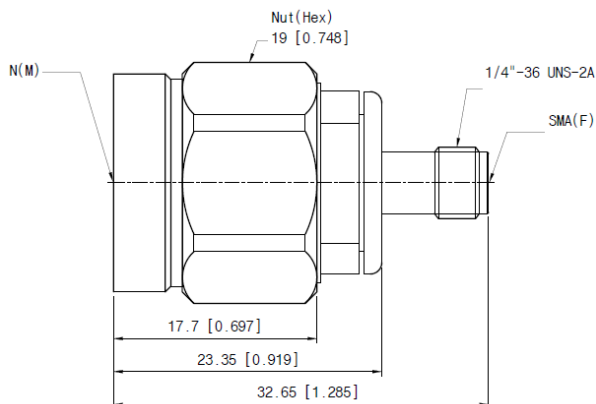
N Male to SMA Female Adapter

P/N: NMS-ADP-SFS-01

► Specification

www.gigalane.com

Unit : mm [inch]



Electrical

Frequency	DC ~ 18 GHz
Impedance	50 Ω
Insertion Loss	IL [dB] = Max. 0.06 X √F
VSWR	DC ~ 18 GHz 1.2:1 max

Materials

Body	Stainless Steel (Passivated)
Center Contact	BeCu (Gold Plated) Brass (Gold Plated)
Insulator	PTFE

Mechanical

Mating Cycle(Durability)	500
Recommended Mating Torque Proof Torque	N : 0.68 ~ 1.33 Nm / 5 ~12 lbs 1.73 Nm / 15 lbs SMA : 0.9 ~ 1.13 Nm / 8 ~10 lbs 1.7 Nm / 15 lbs
Coupling Nut Retention Force	N : 45.8kgf (450N) SMA : 270 N / 27.7 kgf / 61 lbs
Contact Captivation	N : 2.8 kgf Min. (28N Min.)

Environmental

Temperature	- 40°C to + 125°C
Thermal Shock	MIL-STD-202, Method 107, Condition B
Corrosion (salt Spray)	MIL-STD-202, Method 101, Condition B, 5% salt
Shock	SMA: MIL-STD-202, Method 213, Test condition I
Vibration	N: MIL-STD-202, Method 204, Condition B (20G) SMA : MIL-STD-202, Method 204, Condition D
Moisture Resistance	MIL-STD-202, Method 106