

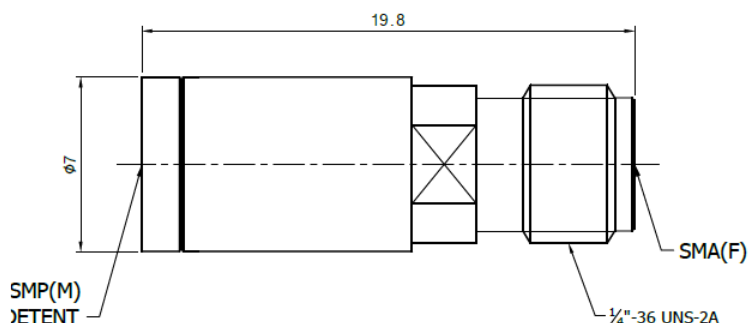
# SMP Male to SMA Female Adapter

## P/N: PMS-ADP-SFS-L1

### ► Specification

www.gigalane.com

Unit : mm [inch]



### Electrical

Frequency	DC ~ 18 GHz
Impedance	50 Ω
Insertion Loss	IL [dB] = Max. 0.06 X √F
VSWR	DC ~ 18 GHz 1.2:1 max

### Materials

Body	Stainless Steel (Passivated)
Center Contact	BeCu (Gold Plated)
Insulator	PTFE

### Mechanical

Mating Cycle(Durability)	500
Recommended Mating Torque Proof Torque	SMA : 0.9 ~ 1.13 Nm / 8 ~10 lbs 1.7 Nm / 15 lbs
Coupling Nut Retention Force	SMA : 270 N / 27.7 kfg / 61 lbs
Axial Misalignment	SMP : 0 ~ 0.25 mm
Radial Misalignment	SMP : +/- 0.25 mm
Center to Center Spacing (min)	0.17 in (4.32mm)

### Environmental

Temperature	- 40°C to + 125°C
Thermal Shock	MIL-STD-202, Method 107, Condition B
Corrosion (salt Spray)	MIL-STD-202, Method 101, Condition B, 5% salt
Shock	MIL-STD-202, Method 213, Test condition I
Vibration	MIL-STD-202, Method 204, Condition D
Moisture Resistance	MIL-STD-202, Method 106