

1

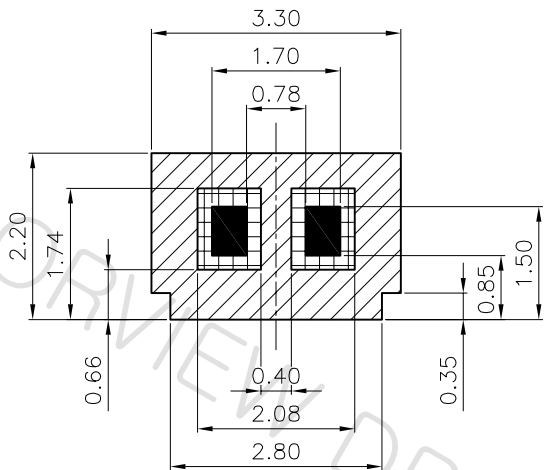
2

3

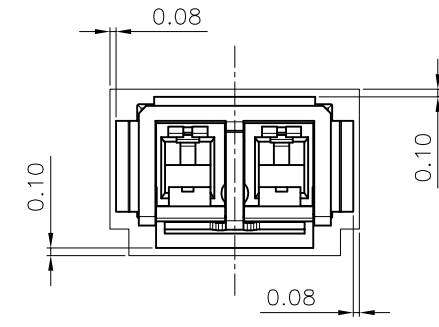
4

REVISION

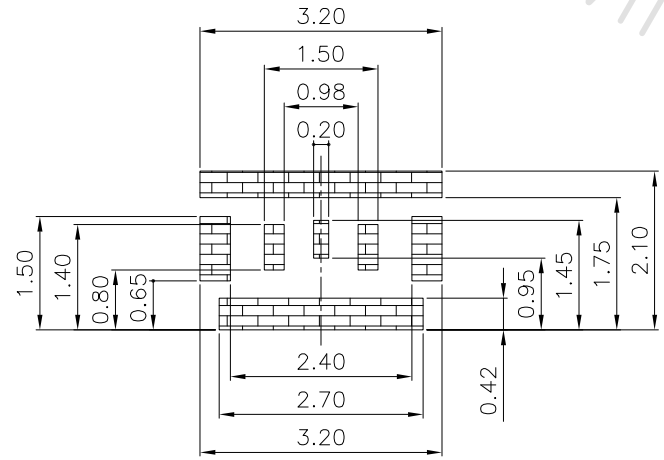
NO.	CHANGE CONTENTS	CHANGE CAUSE
-----	-----------------	--------------



RECOMMENDED FOOTPRINT PATTERN



CONNECTOR ON RECOMMENDED FOOTPRINT PATTERN



METAL MASK THICKNESS 0.05

- ▨ GROUND CONTACT
- SIGNAL CONTACT
- ▤ NO GROUND
- ▥ METAL MASK

No.	PART NO.	DESCRIPTION				Q'TY	MATERIAL	REMARKS	REV.
	N/A	DRAW	DESIGN	CHECK	APPRO.	TITLE			
	N/A	JK.Choi		DH.Kang	SC.Cho	RECOMMENDED PCB LAYOUT			
	Decimal	Angle	P/N				MG215MRE02		
	±0.02	21.11.02		21.11.02	21.11.02				
	10/1	UNITmm	MODEL				MG215M		
	DRAFT	SHEET	3/3	MG215M					



D

C

B

A

1

2

3

4

A4