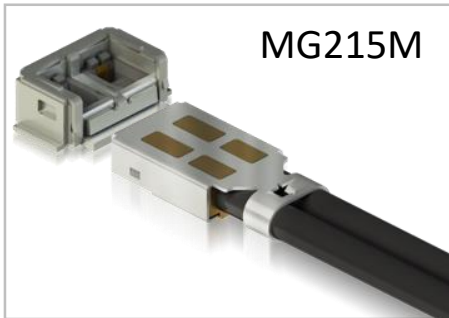


# MG215M series

- RF Dual-ports
- DC to 15GHz
- Micro coaxial interconnector
- Mating height 1.4mm

# Overview



MG215M



RoHS compliance

REACH compliance

Halogen Free

Accessories

<Test cable for receptacle>



<Mate-unmate jig\_Tweezer>



MG215M has low-loss, low EMI leakage, dual-ports micro coaxial RF interconnector. Two Coaxial lines are in a connector with 50 ohm matched thoroughly. Vertical-mating interface secures anti-rotation and stability vs. vibration. Main applications are CPE, Laptop, M.2 Card RF or IF(Intermediate Frequency) transmission.

## Features

- **Footprint / Mating height** : Minimize footprint and mating height with dual-ports
- **Power Efficiency** : Low loss coaxial cable (DK < 2.0)
- **Minimized Crosstalk** : Each contacts are electrically/mechanically separated
- **Minimized RF Interference** : Enclosure is fully shielded by ground shell

## Specifications

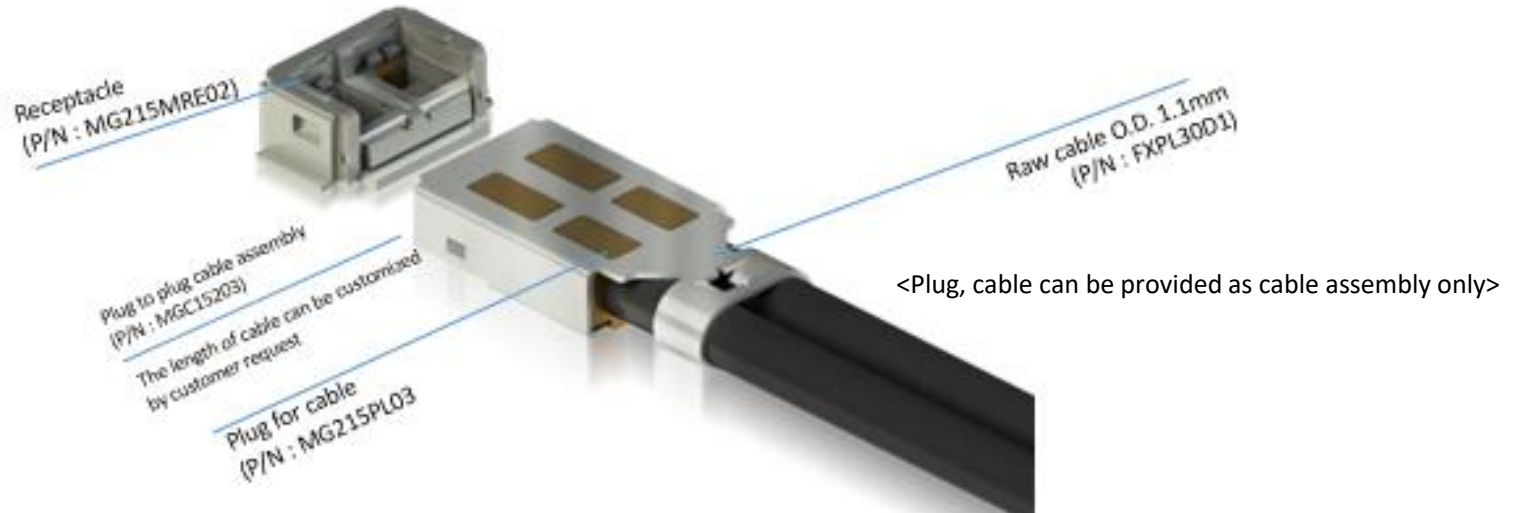
- 2 cables in a single interface
- Insertion loss : -1.35dB (@15GHz) \_ Mated condition (Plug cable assembly 200mm + Receptacles both ends)
- VSWR : Max 1.5 (@15GHz)
- Mating height : Max 1.4mm
- Receptacle footprint : 3.1 x 2.0mm
- Frequency : DC to 15GHz
- Minimum bend radius of cable : 5mm

## MPN (Manufacturer's Part number)

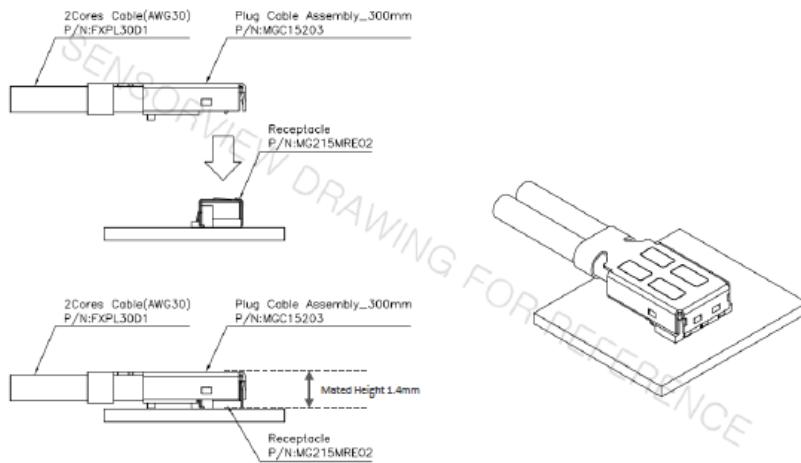
- MG215M plug to MG215M plug cable assembly(300mm) : MGC15203
- MG215M plug to MS15A plugs cable assembly (75mm) : MGC15205
- Receptacle(for SMT) : MG215MRE02 → Can be mated with MHF7S receptacle
- Test cable(MG215M Plug to 2 Female SMAs/400mm) : TRA2P01
- Mate-unmate jig(Tweezer type) : GJSZZA7

Customized length available

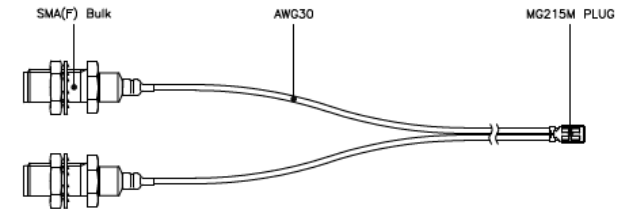
# Structure



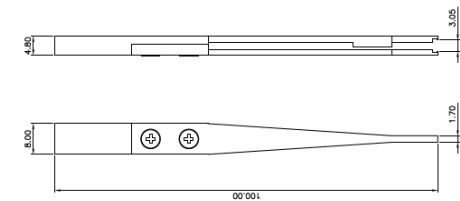
## MGC15203 Mated into MG215MRE02



## Test accessory \_ Plug to Female SMAs 400mm (P/N : TRA2P01)



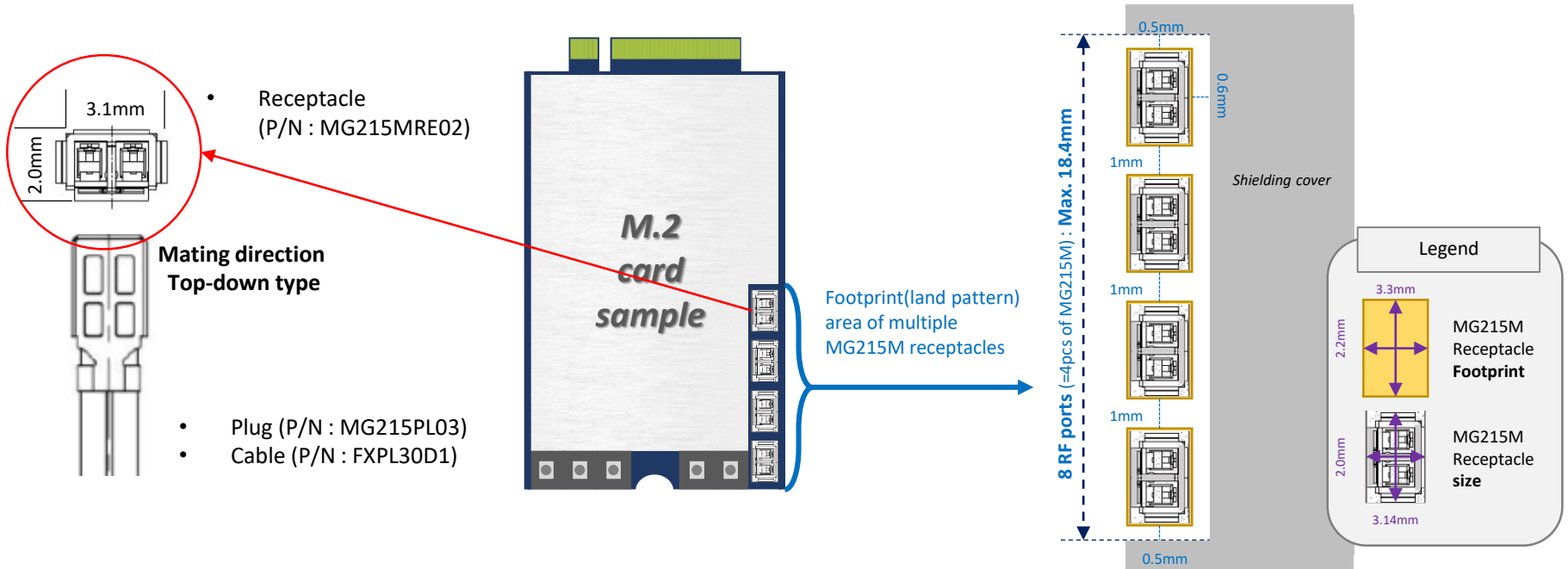
## Tweezer for mating and unmating (P/N : GJSZZA7)



# Use case

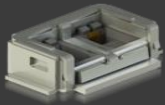
## Main application of MG215M

RF or IF(Intermediate frequency) transmission in between M.2 card and RF/Antenna module



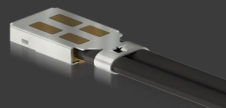
### Product package

Receptacle  
(MPN : MG215MRE02)



[Packaged In a tape and reel]

Cable assembly  
(MPN : MGC152XX)



[Packaged In ESD bag and carton]

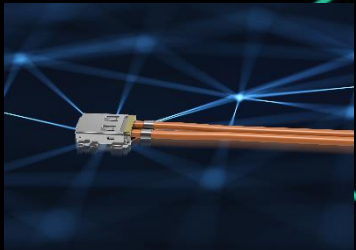
### Specification of MG215M

- Insertion loss (plug to plug cable assembly + Receptacles both ends)
  - Cable 200mm : < -1.35dB (@15GHz)
  - Cable 300mm : < -1.95dB (@15GHz)
- Crosstalk(NEXT)
  - Max -50dB(DC to 15GHz)



# Thank You

Your trusted partner for 5G and beyond-5G



Micro Coaxial RF Interconnector



Low-loss microwave cable



High shielding chamber



mmWave Patch Antenna



mmWave Horn Antenna