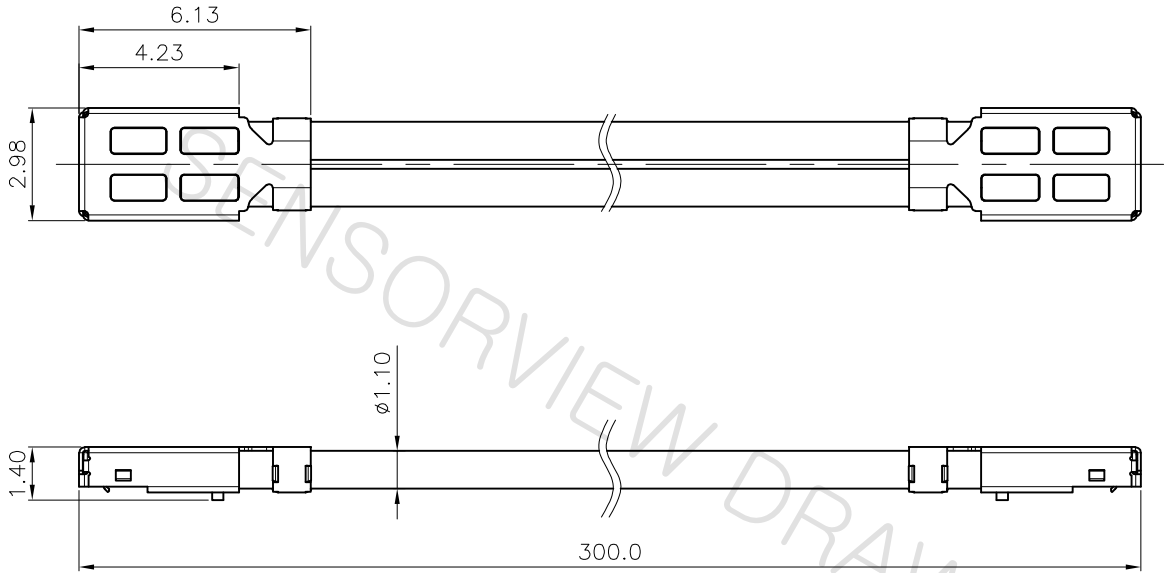
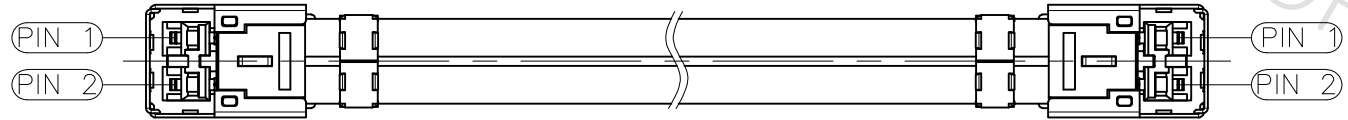


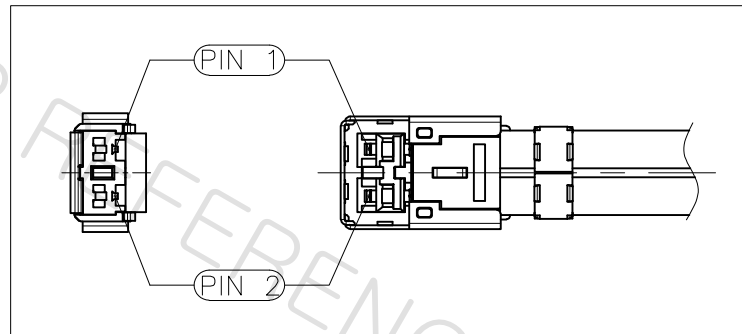
1		2		3		4	
				REVISION			
NO.		CHANGE CONTENTS		CHANGE CAUSE			



- NOTES:
- THIS PRODUCT IS AN ASSEMBLY OF 2 LINES OF AWG30 CABLE AND PLUGS AT BOTH ENDS
 - CONN. MATERIAL
 - HOUSING : Zn (Au-Plated)
 - SIGNAL PIN : BeCu (Au-Plated)
 - INSULATOR : LCP
 - SHELL : STS (Ni-Plated)
 - CABLE MATERIAL
 - CONDUCTOR : SILVER PLATED COPPER
 - INSULATOR : LDPFA
 - OUTER CONDUCTOR : SILVER PLATED COPPER WIRE / COPPER TAPE
 - JACKET : FEP
 - ELECTRICAL CHARACTERISTICS
 - FREQUENCY : DC ~ 15GHz
 - IMPEDANCE : Typ. 50Ω
 - RETURN LOSS : MAX. -15dB
 - INSERTION LOSS. : Min. -1.95dB
 - CROSSTALK : MAX. -50 dB
 - PIN ASSIGNMENT



There is no twist of cable and no twist in plug.
Each RF signals goes straight to the other end.



NO.	PART NO.		DESCRIPTION				Q'TY	MATERIAL	REMARKS	REV.
MATERIAL	*SEE NOTE.2		DRAW	DESIGN	CHECK	APPRO.	TITLE	PLUG CABLE ASS'Y		
FINISH	*SEE NOTE.2		JK.Choi		DH.Kang	SC.Cho	P/N	MGC15203		
TOLERANCE	Decimal	Angle	N/A	22.01.14	22.01.14	22.01.14				
SCALE	5/1	UNITmm	MODEL	MG215M					A4	
REVISION	DRAFT	SHEET	1/3							

