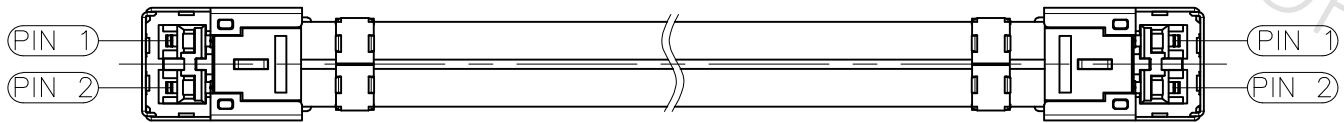
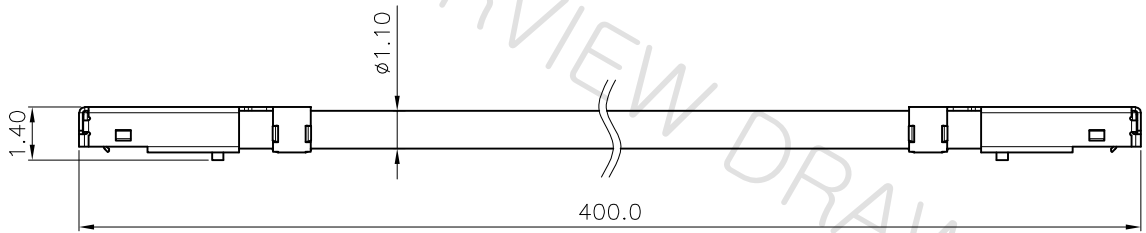
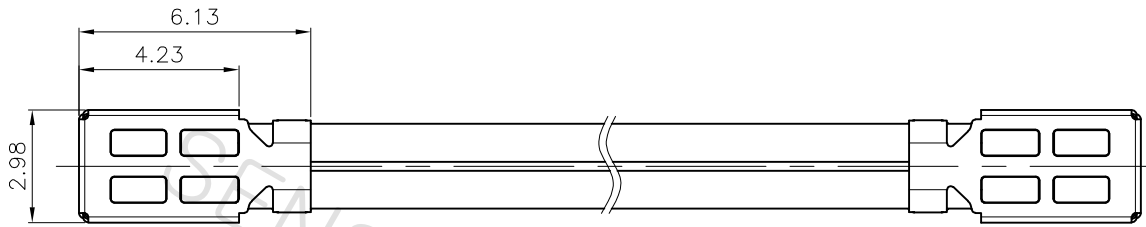


REVISION

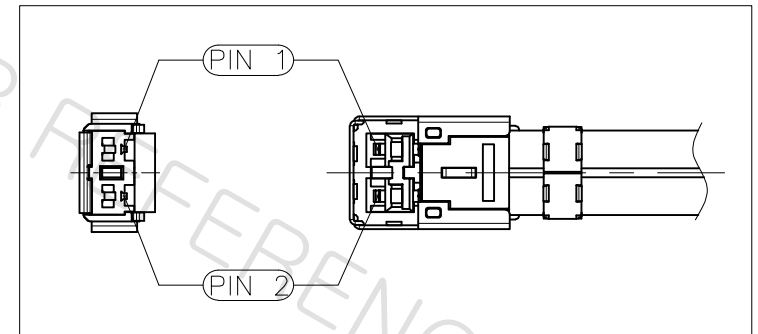
NO.	CHANGE CONTENTS	CHANGE CAUSE
-----	-----------------	--------------



There is no twist of cable and no twist in plug.
Each RF signals goes straight to the other end.

NOTES:

- THIS PRODUCT IS AN ASSEMBLY OF 2 LINES OF AWG30 CABLE AND PLUGS AT BOTH ENDS
- CONN. MATERIAL
 - HOUSING : Zn (Au-Plated)
 - SIGNAL PIN : BeCu (Au-Plated)
 - INSULATOR : LCP
 - SHELL : STS (Ni-Plated)
- CABLE MATERIAL
 - CONDUCTOR : SILVER PLATED COPPER
 - INSULATOR : LDPFA
 - OUTER CONDUCTOR : SILVER PLATED COPPER WIRE /COPPER TAPE
 - JACKET : FEP
- ELECTRICAL CHARACTERISTICS
 - FREQUENCY : DC ~ 15GHz
 - IMPEDANCE : Typ. 50Ω
 - RETURN LOSS : MAX. -15dB
 - INSERTION LOSS. : Min. -2.55dB
 - CROSSTALK : MAX. -50 dB
- PIN ASSIGNMENT



NO.	PART NO.	DESCRIPTION	Q'TY	MATERIAL	REMARKS	REV.
MATERIAL	*SEE NOTE.2	DRAW DESIGN CHECK APPRO.	TITLE	PLUG CABLE ASS'Y		
FINISH	*SEE NOTE.2	JK.Choi DH.Kang SC.Cho	P/N	MGC15204		
TOLERANCE	Decimal Angle	N/A	22.01.14	22.01.14	22.01.14	
SCALE	5/1 UNITmm	MODEL	MG215M			A4
REVISION	DRAFT SHEET 1/3					

